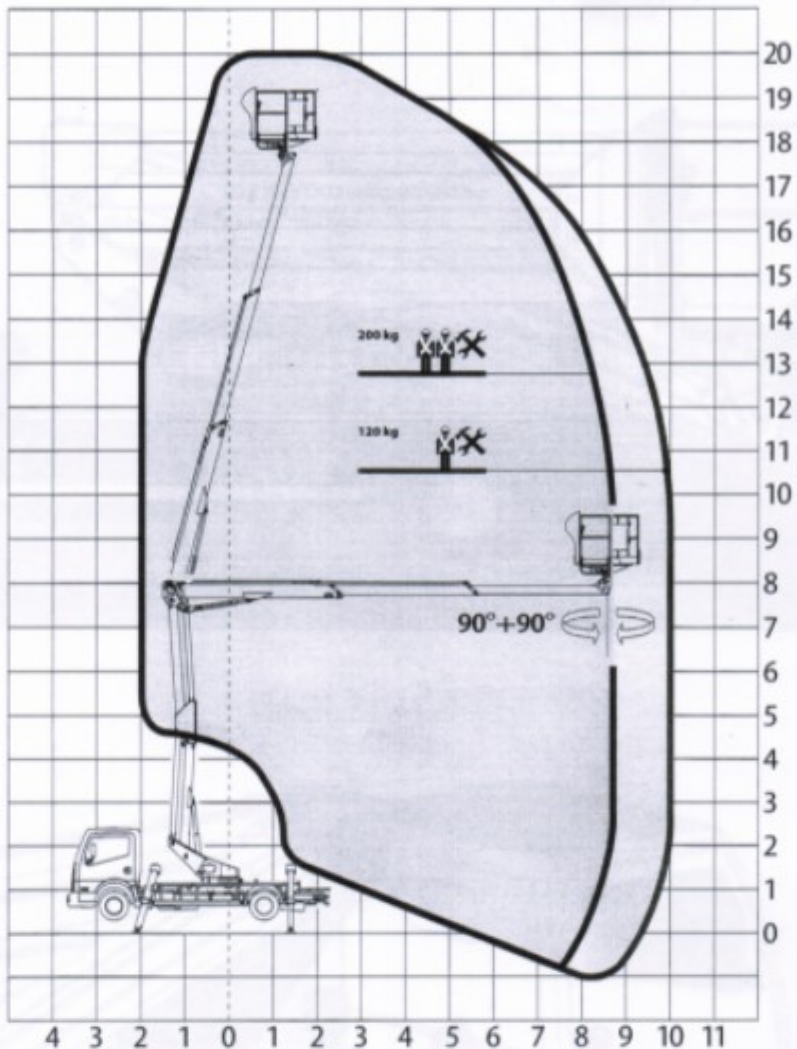
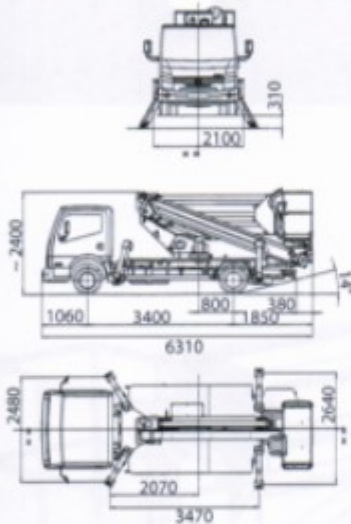


# snake 2010 compact RE



dati tecnici / specifications / datos técnicos / caractéristiques techniques  
 technische daten / technische specificaties / технические характеристики

|  |      |  |        |  |         |
|--|------|--|--------|--|---------|
|  | 20 m |  | 200 kg |  | 2400 mm |
|  | 10 m |  | 120 kg |  | 2100 mm |
|  | 360° |  | 3.5 t  |  |         |



**OIL & STEEL**  
 www.oilsteel.com

via S. Eusebio 13 - 41010 C. Casale sul Reno - Modena, Italy - tel. +39 052 036811 fax +39 052 036813 - info@oilsteel.com